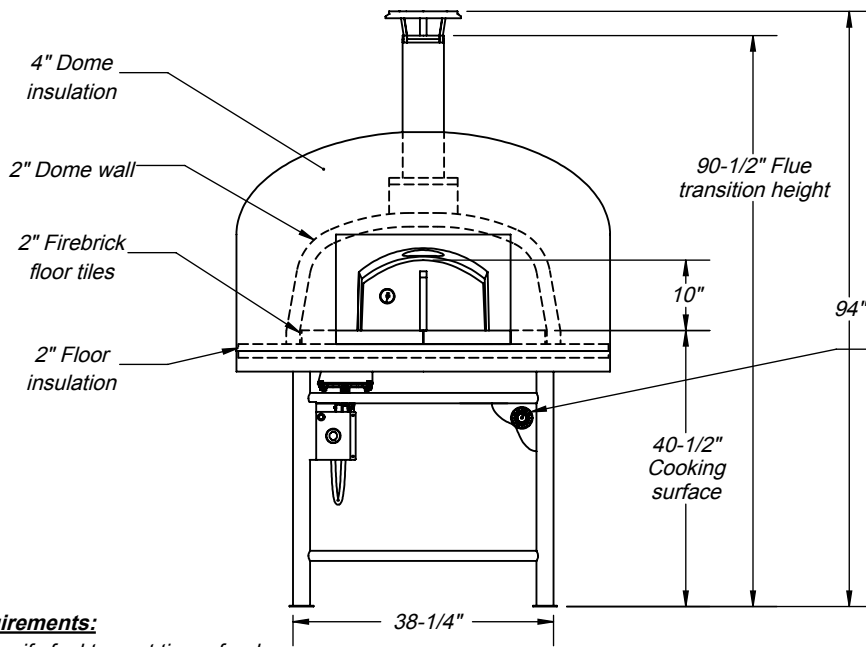
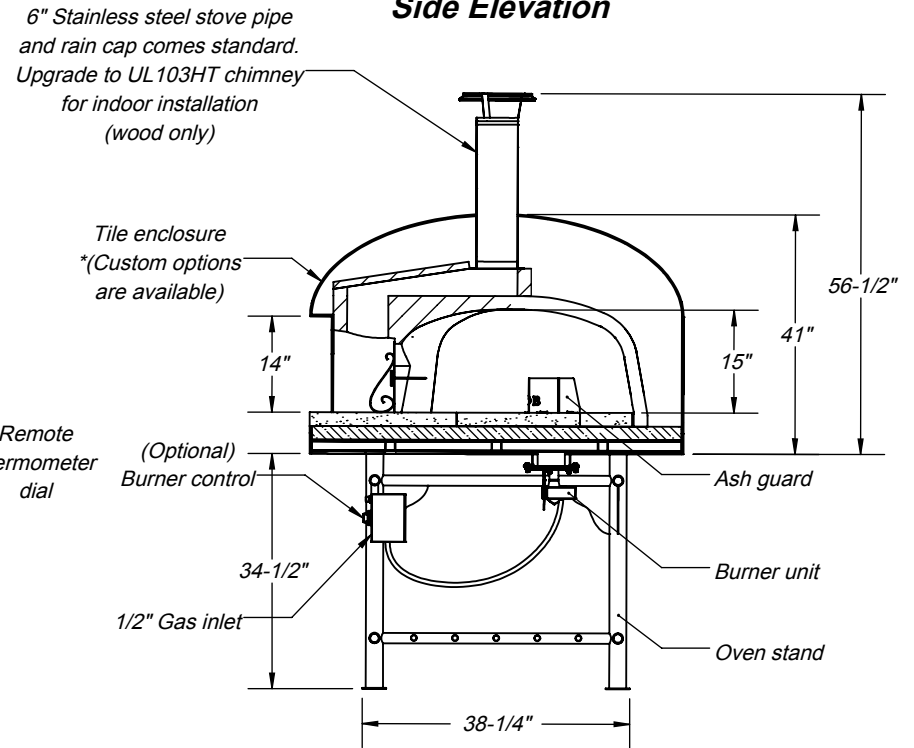


Front View



Side Elevation



Gas Requirements:

- Must specify fuel type at time of order
- Natural Gas : 5"-10" WC; 38,000 BTU
- Propane (LP): 10-12" WC; 51,000 BTU
- 1 AA Battery
- Refer to [install manual](#) for proper airflow

Clearance to combustibles:

- Allow 1" clearance all the way around side walls;
- 14" above completed dome assembly;
- Allow 36" from front of oven landing to combustibles;
- 30" from left and right of oven mouth.
- Non combustible concrete hearth.

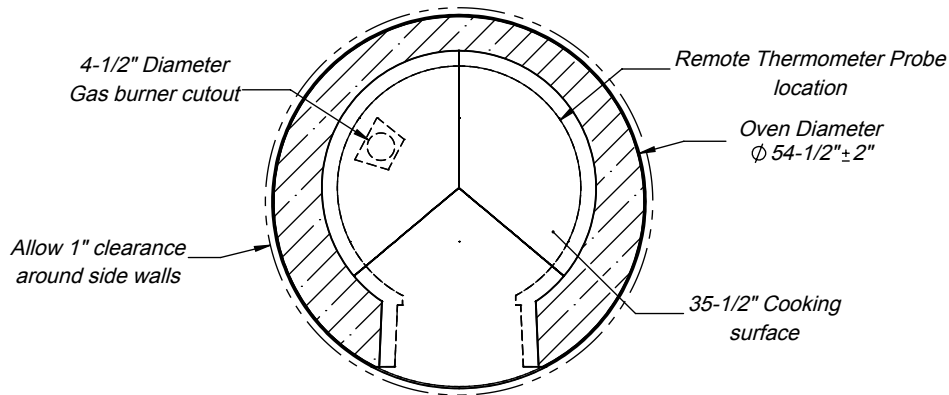
Specifications:

- Wood, liquid gas or propane fuel for outdoors;
- Indoor install for wood only.
- Check local codes for venting requirements.
- Crate ships 63"W x 67"D x 84"H, Oven weight: 2625 lbs.

WARNING:

READ ALL INSTRUCTIONS IN INSTALLATION MANUAL BEFORE INSTALLING AND USING APPLIANCE. FAILURE TO FOLLOW INSTRUCTIONS MAY RESULT IN PROPERTY DAMAGE, BODILY INJURY OR EVEN DEATH.

Top View



Shown with non combustible metal hearth

Made from Casa 2G90

Made in the U.S.A. Residential Gas Fired Pizza Oven

FORNO BRAVO
 THE WORLD'S FINEST PIZZA OVENS

Vesuvio 90G

Wood/ Gas Pizza Oven

Architect Drawings

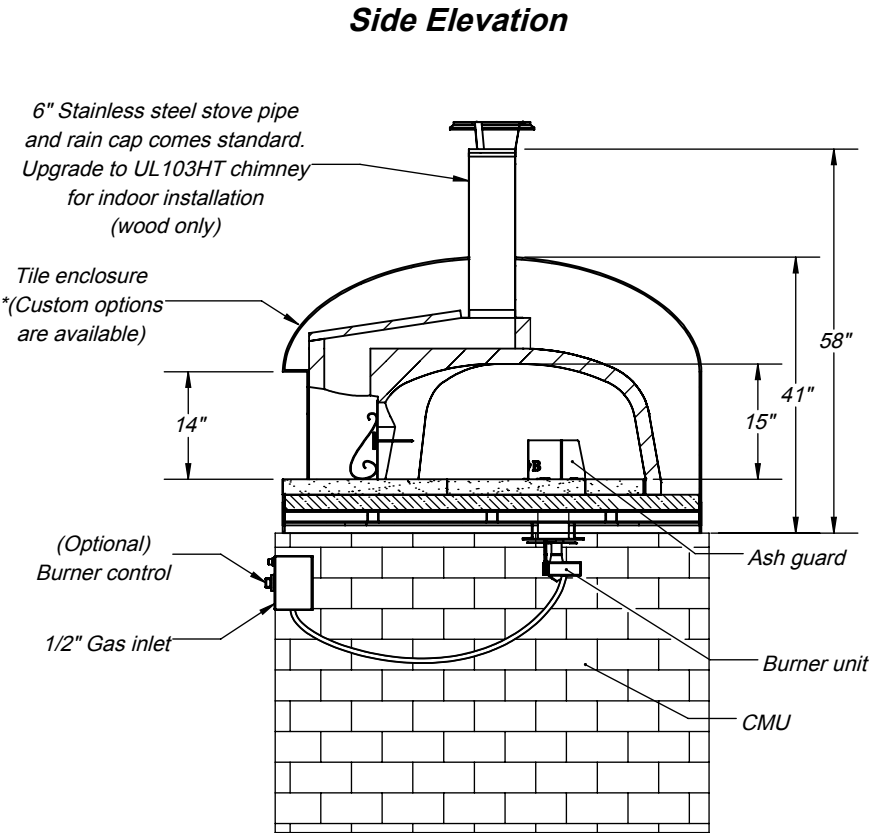
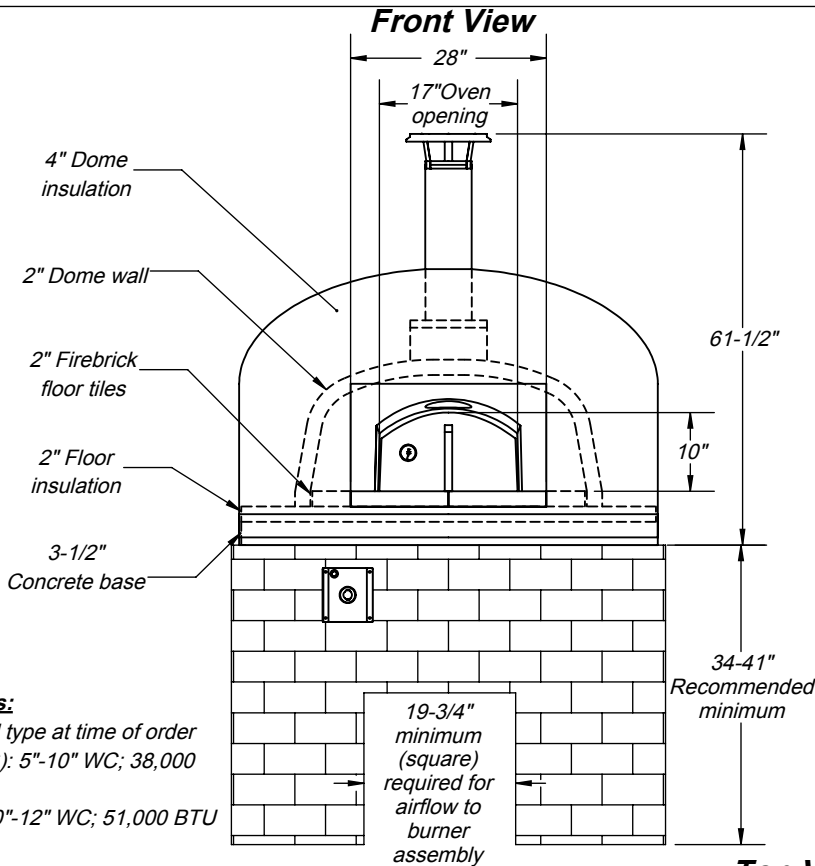
SKU: FV90SS

Revision 12/15/2017

Sheet: 1 of 4



For more information: www.fornobravo.com
<https://www.fornobravo.com/product-series/vesuvio-series-wood-ovens/>



Gas Requirements:

- Must specify fuel type at time of order
- Natural Gas (NG): 5"-10" WC; 38,000 BTU
- Propane (LP): 10"-12" WC; 51,000 BTU
- 1 AA Battery
- Refer to [install manual](#) for proper airflow

Clearance to combustibles:

- Allow 1" clearance all the way around side walls;
- 14" above completed dome assembly;
- Allow 36" from front of oven landing to combustibles;
- 30" from right and left of oven mouth.
- Non combustible concrete hearth.

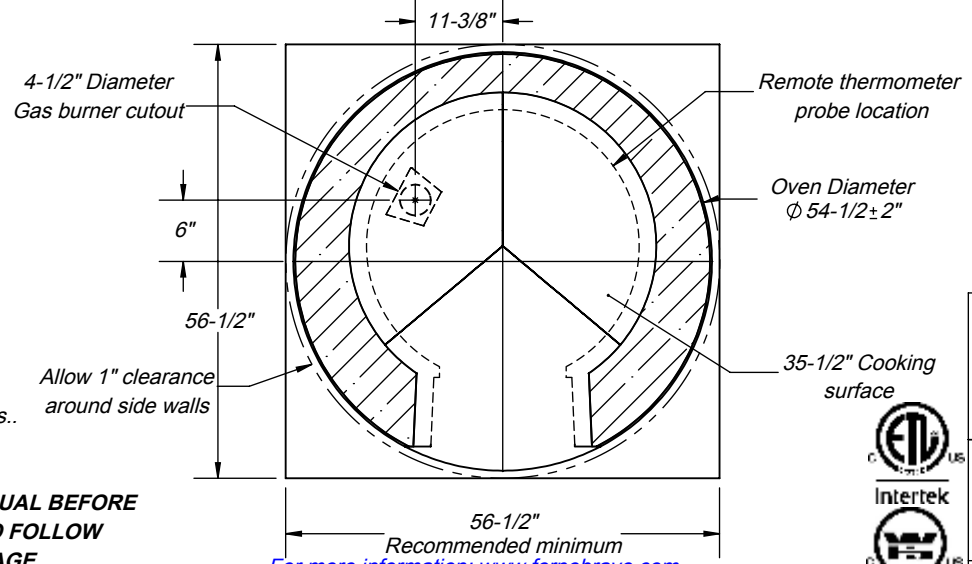
Specifications:

- Wood, liquid gas or propane fuel for outdoors;
- Indoor install for wood only.
- Check local codes for venting requirements.
- Crate ships 63"W x 67"D x 72"H, Oven weight: 2965 lbs..

WARNING:

READ ALL INSTRUCTIONS IN INSTALLATION MANUAL BEFORE INSTALLING AND USING APPLIANCE. FAILURE TO FOLLOW INSTRUCTIONS MAY RESULT IN PROPERTY DAMAGE, BODILY INJURY OR EVEN DEATH.

Top View



Shown with non combustible concrete hearth

Made from Casa 90G OK

Made in the U.S.A. Residential Gas Fired Pizza Oven



Vesuvio 90G

Countertop Version

Architect Drawings

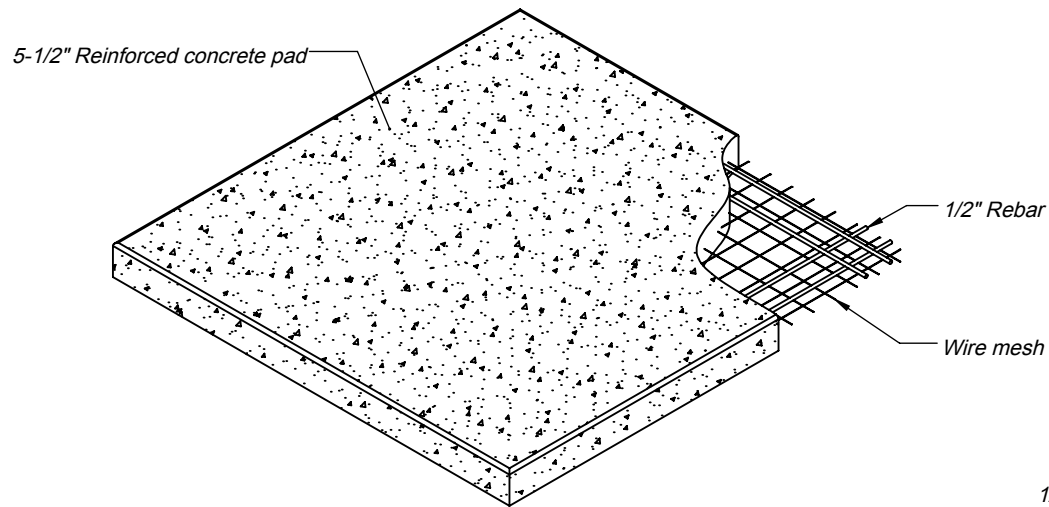
SKU: FV90-CT

Revision 12/15/2017

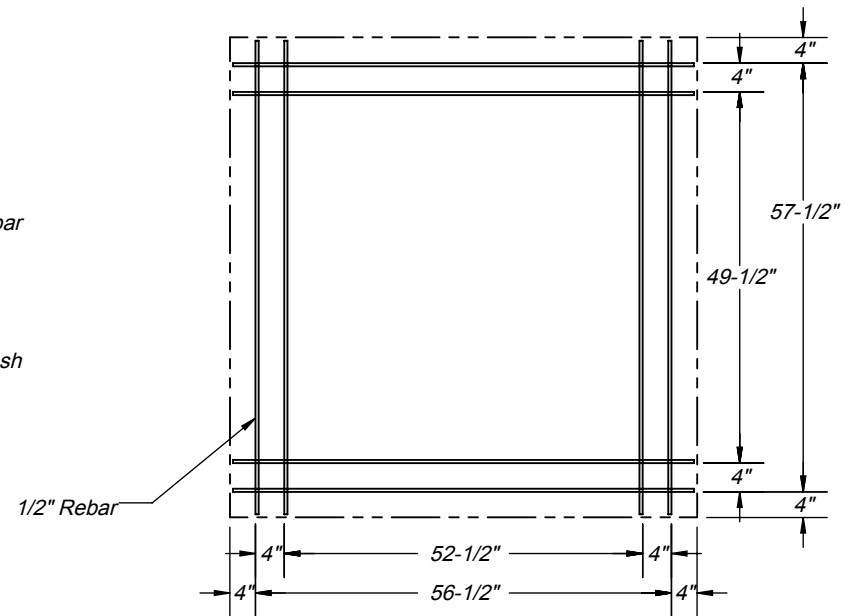
Sheet: 2 of 4



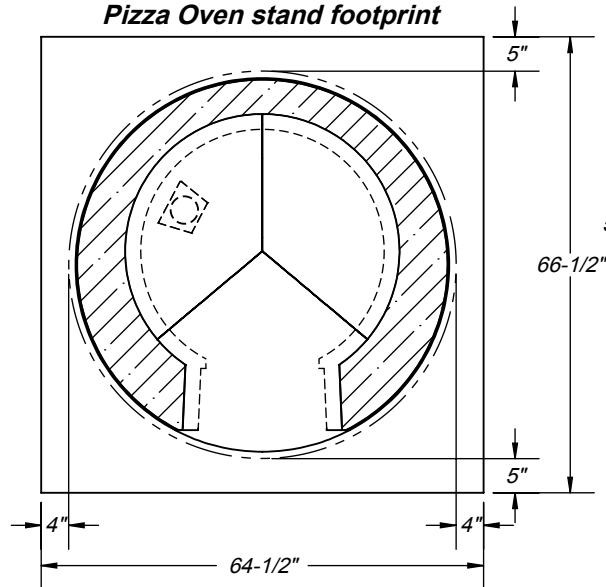
ISO View



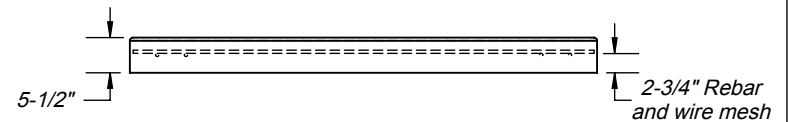
Top View



Vesuvio 90G & 90W Pizza Oven stand footprint



Side Elevation



Specifications:

Minimum 5-1/2" deep concrete pad;
Reinforced with 1/2" rebar and wire mesh. * wire mesh is not shown in some views for print clarity;
Cut rebar and wire mesh short to conceal inside concrete pad;

Slab dimensions:

Minimum 8" wider than oven stand and hearth;
Minimum 10" deeper than oven stand and hearth;
Finished slab should be 2" to 3" above ground level;
Refer to local building codes for recommendations regarding soil compaction, frost line and other considerations. Depending on local conditions, you may have to excavate down 18" or more of topsoil to reach stable substrate.

WARNING:

READ ALL INSTRUCTIONS IN INSTALLATION MANUAL BEFORE INSTALLING AND USING APPLIANCE. FAILURE TO FOLLOW INSTRUCTIONS MAY RESULT IN PROPERTY DAMAGE, BODILY INJURY OR EVEN DEATH.

For more information: www.fornobravo.com

<https://www.fornobravo.com/product-series/vesuvio-series-wood-ovens/>

Made in the U.S.A. Residential Gas Fired Pizza Oven

FORNO BRAVO[®]
THE WORLD'S FINEST PIZZA OVENS

Vesuvio 90G & 90W
Pad for Vesuvio Pizza Oven
Architect Drawings



Intertek

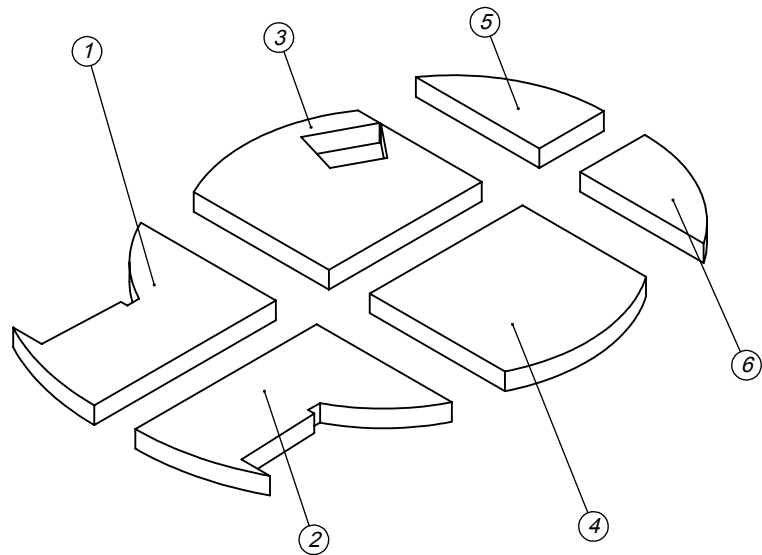


Intertek

Revision 12/15/2017

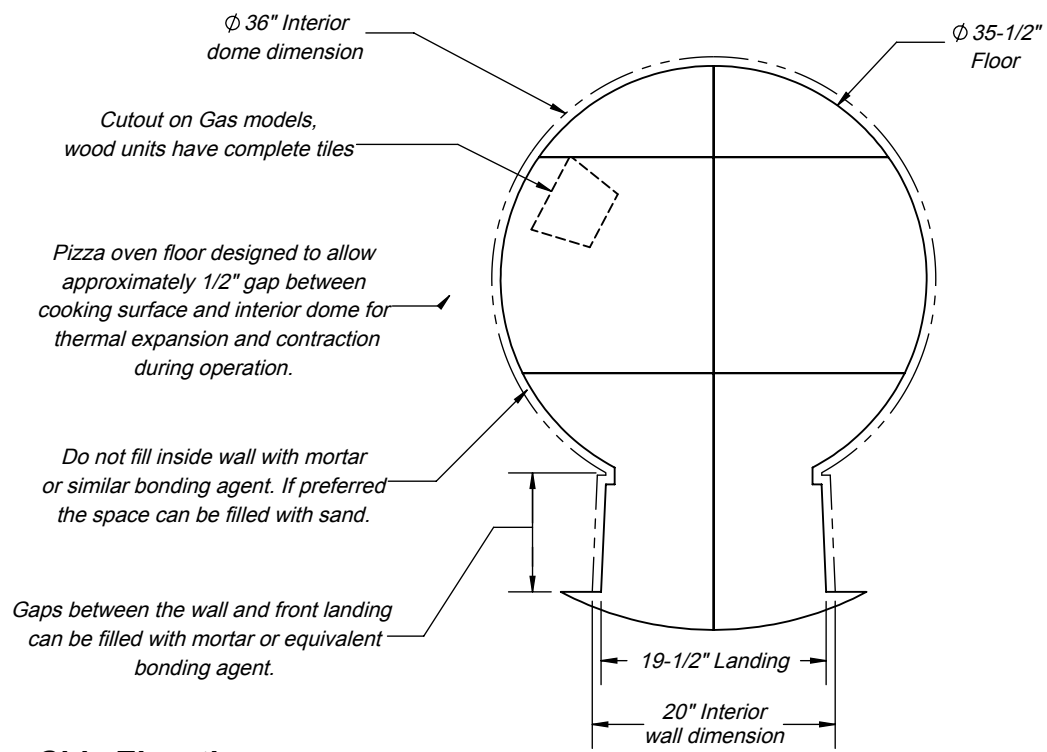
Sheet: 3 of 4

ISO View

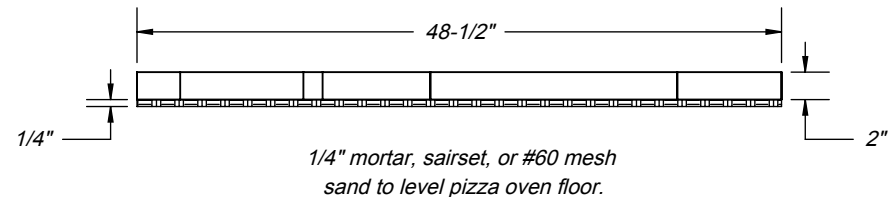


When ordering replacement tiles, reference tile number, oven model and purchase date.

Top View



Side Elevation



Specifications:

Floor is NSF-4 rated with 2" thick surface.
 Use 1/4" mortar, sairset, or #60 mesh sand to level the floor.
 No more than 3/8" filler around landing or door may not fit.

WARNING:
 READ ALL INSTRUCTIONS IN INSTALLATION MANUAL BEFORE INSTALLING AND USING APPLIANCE. FAILURE TO FOLLOW INSTRUCTIONS MAY RESULT IN PROPERTY DAMAGE, BODILY INJURY OR EVEN DEATH.

For more information: www.fornobravo.com
<https://www.fornobravo.com/product-series/vesuvio-series-wood-ovens/>

Made in the U.S.A. Residential Gas Fired Pizza Oven

FORNO BRAVO[®]
 THE WORLD'S FINEST PIZZA OVENS

Vesuvio 90G & 90W
 Pizza Oven Floor Tile Layout
 Architect Drawings

Revision 12/15/2017 Sheet: 4 of 4

