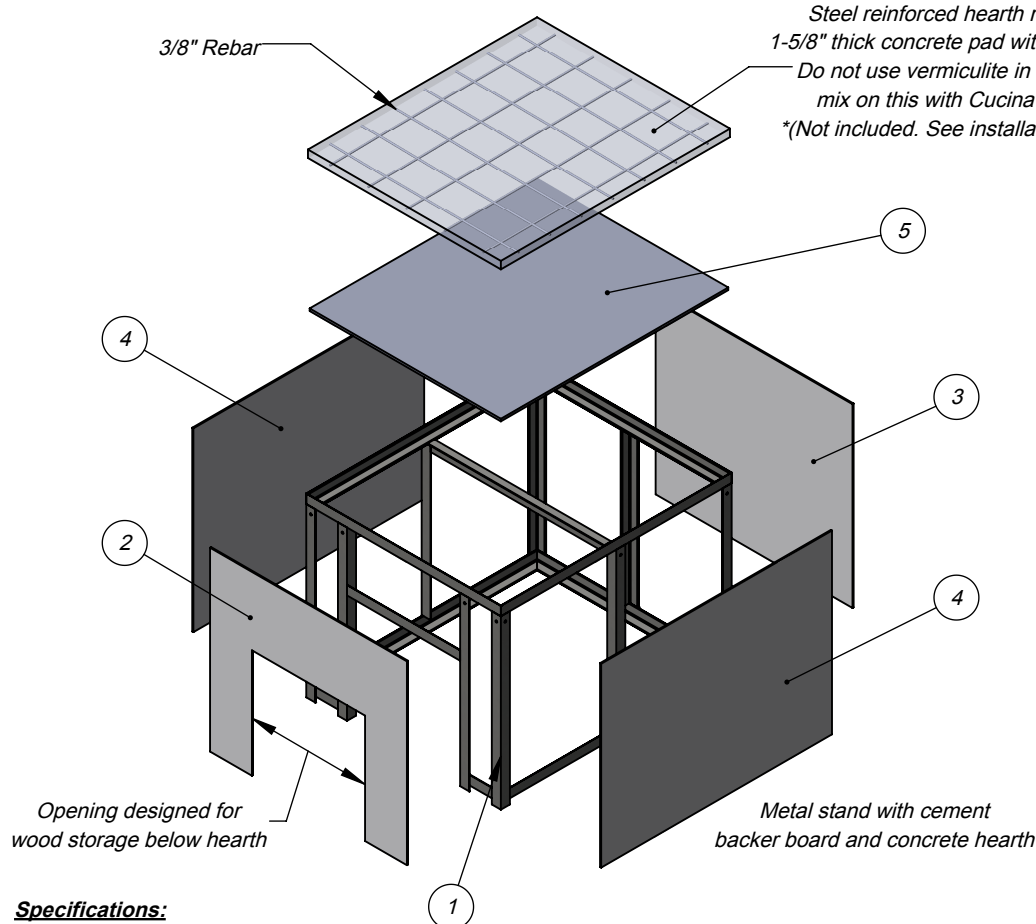
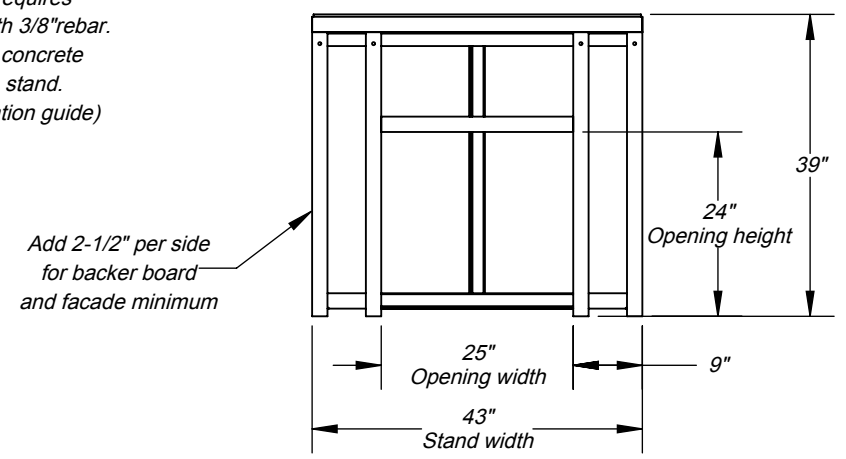


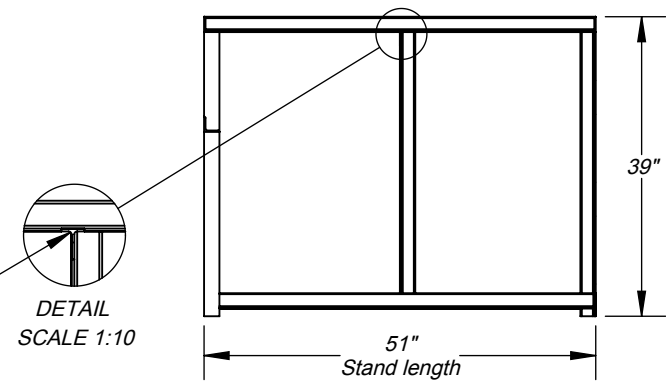
ISO View



Front View



Side Elevation



Specifications:

Stand includes metal frame, assembly hardware, precut / predrilled exterior cement backer board panels.

The Cucina 70 stand works with Giardino 70 oven.

* Hearth materials not included. See installation guide.

WARNING:
READ ALL INSTRUCTIONS IN INSTALLATION MANUAL BEFORE INSTALLING AND USING APPLIANCE. FAILURE TO FOLLOW INSTRUCTIONS MAY RESULT IN PROPERTY DAMAGE, BODILY INJURY OR EVEN DEATH.

For more information: www.fornobravo.com
<https://www.fornobravo.com/PDF/Giardino-Install.pdf>

ITEM#	PART NAME	DESCRIPTION	QTY
1	Cucina 70	Metal frame substructure	1
2	Front Panel	1/4" Pre-cut Backer Board	1
3	Back Panel	1/4" Pre-cut Backer Board	1
4	Side Panel	1/4" Pre-cut Backer Board	2
5	Top Panel	1/2" Pre-cut Backer Board	1
6	Hex Bolt, 3/8" x 1"	*Not displayed	10
7	Hex Nut, 3/8"	*Not displayed	10
8	Self Tapping Screw	*Not displayed	55
	*Concrete Hearth	* See installation guide	
	*Rebar	* See installation guide	

Made in the U.S.A. Residential Wood Fired Pizza Oven

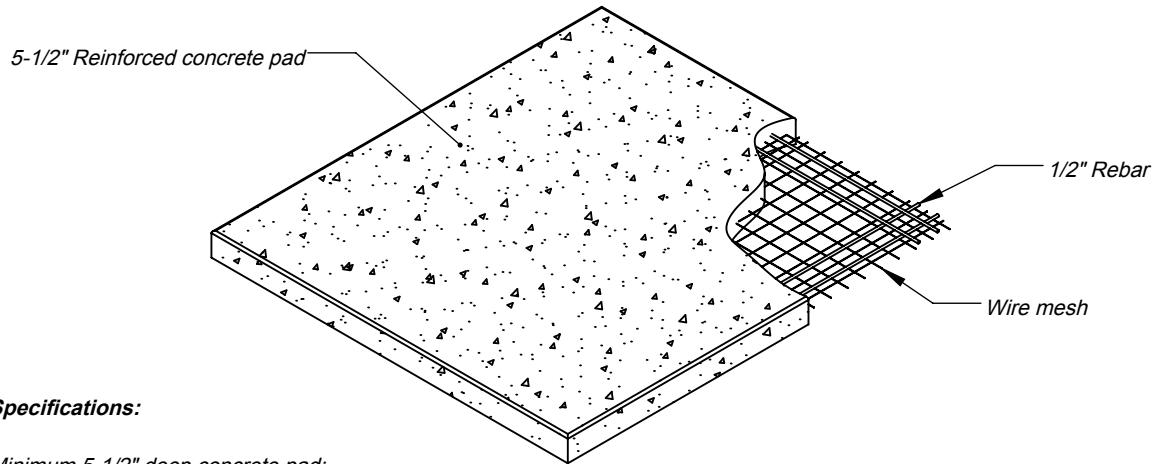
FORNO BRAVO®
 THE WORLD'S FINEST PIZZA OVENS

Cucina 70
 Wood Fired Pizza Oven Stand

Architect Drawings SKU: ICS70

Revision 8/15/2016 Sheet: 1 of 2

ISO View



Specifications:

Minimum 5-1/2" deep concrete pad;

Reinforced with 1/2" rebar and wire mesh. * wire mesh is not shown in some views for print clarity;

Cut rebar and wire mesh short to conceal inside concrete pad;

*CMU stand requires a minimum cement foundation pad of 49"W x 51-1/2"D

Slab dimensions:

Minimum 8" wider than oven stand and hearth;

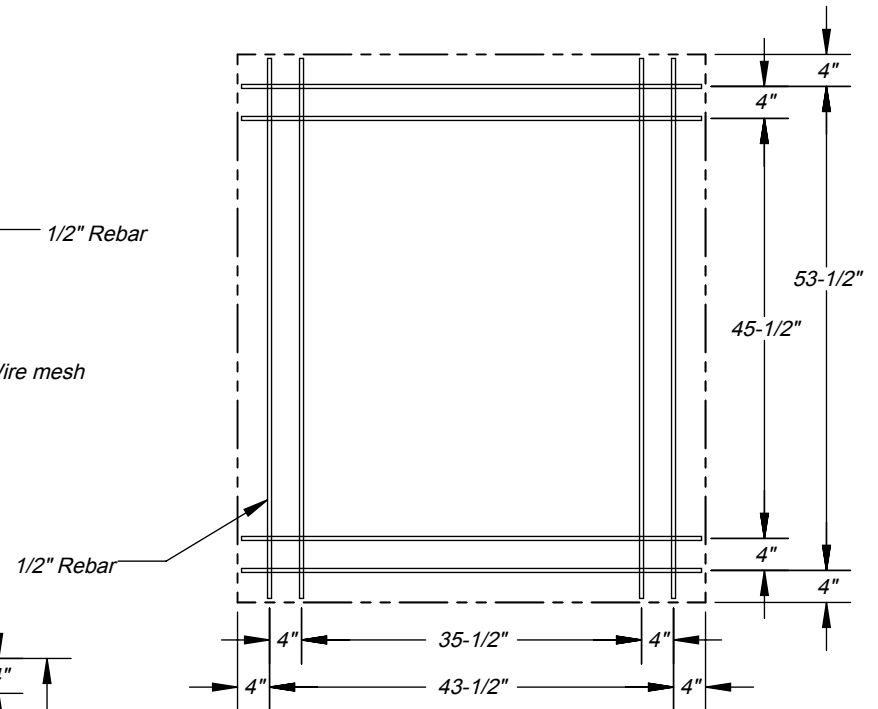
Minimum 10" deeper than oven stand and hearth;

Finished slab should be 2" to 3" above ground level;

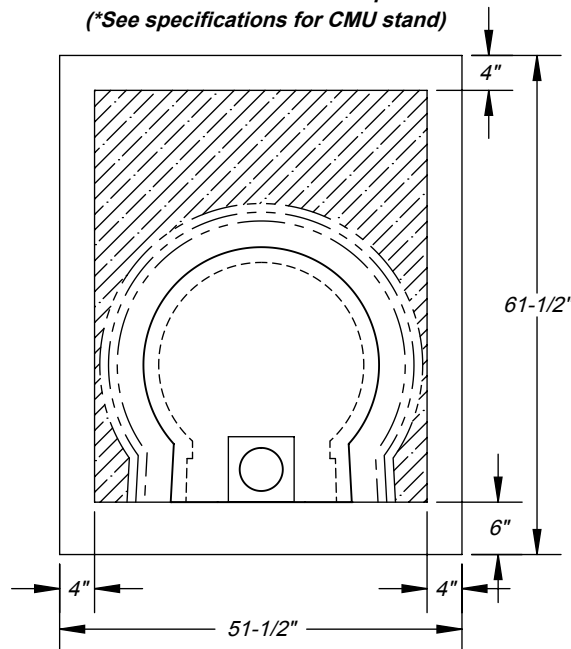
Refer to local building codes for recommendations regarding soil compaction, frost line and other considerations. Depending on local conditions, you may have to excavate down 18" or more of topsoil to reach stable substrate.

WARNING:
READ ALL INSTRUCTIONS IN INSTALLATION MANUAL BEFORE INSTALLING AND USING APPLIANCE. FAILURE TO FOLLOW INSTRUCTIONS MAY RESULT IN PROPERTY DAMAGE, BODILY INJURY OR EVEN DEATH.

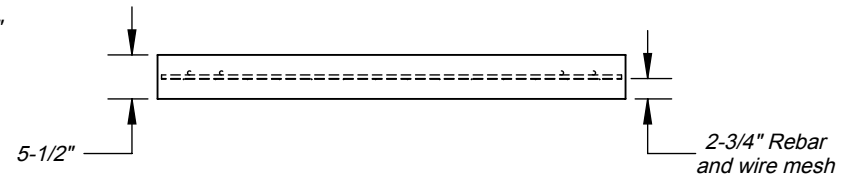
Top View



Cucina 70 oven stand footprint
 (*See specifications for CMU stand)



Side Elevation



Made in the U.S.A. Residential Wood Fired Pizza Ovens

FORNO BRAVO®
 THE WORLD'S FINEST PIZZA OVENS

Cucina 70
 Wood Fired Pizza Oven Pad
 Architect Drawings

Revision 8/15/2016

Sheet: 2 of 2

For more information: www.fornobravo.com
<https://www.fornobravo.com/PDF/Giardino-Install.pdf>