

**GAYLORD AUTOSTART
DCA NOTES**

- A) INSTALLED IN HOOD
- B) PRESET TO 90°F AT FACTORY
- C) IN SOME CLIMATES AND/OR CONDITIONS, IT MAY BE NECESSARY TO ADJUST THE TEMPERATURE SETTING IN THE FIELD BY OTHERS

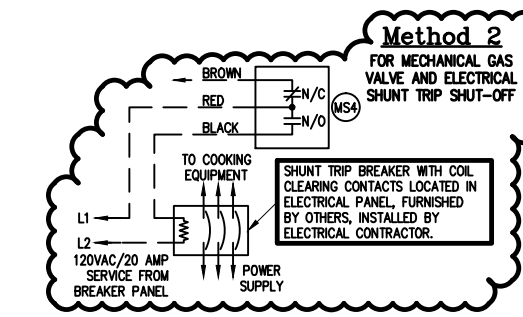
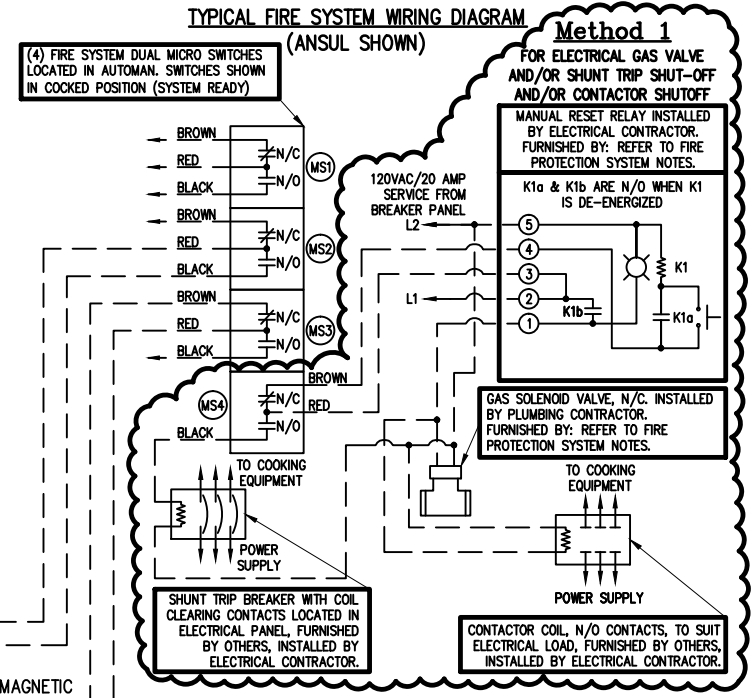
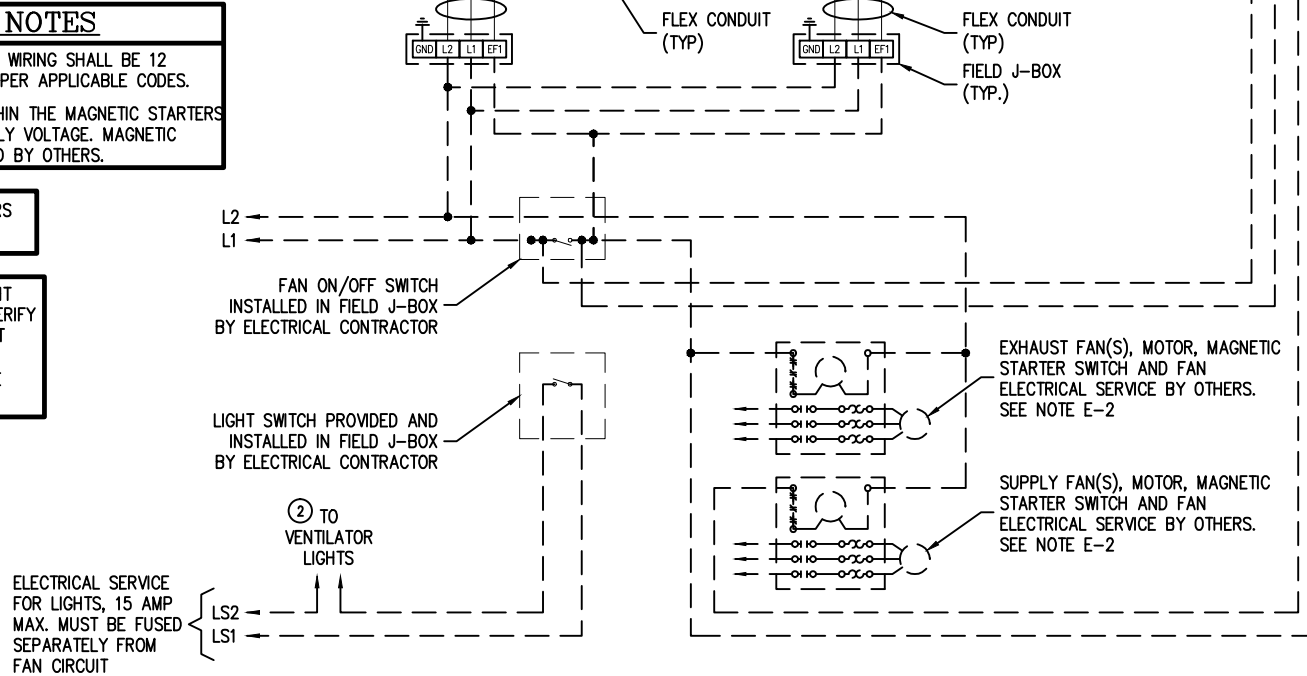
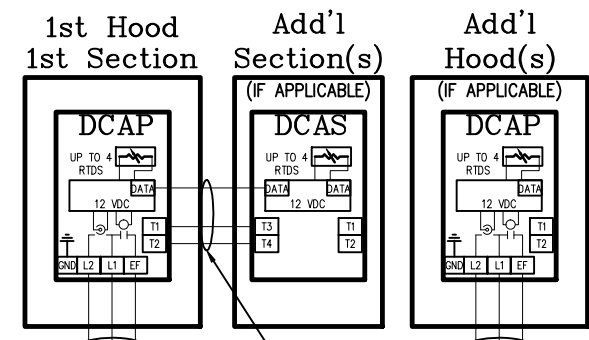
WIRING NOTES

- E-1) ALL EXTERNAL CONTROL WIRING SHALL BE 12 GAUGE MINIMUM OR AS PER APPLICABLE CODES.
- E-2) THE HOLDING COILS WITHIN THE MAGNETIC STARTERS MUST MATCH THE SUPPLY VOLTAGE. MAGNETIC STARTERS ARE SUPPLIED BY OTHERS.

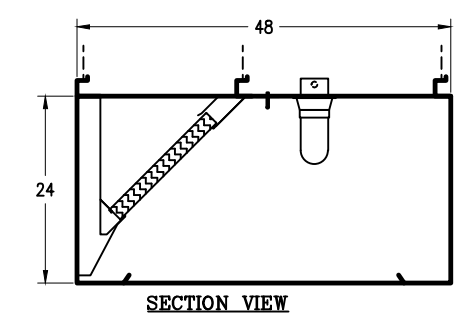
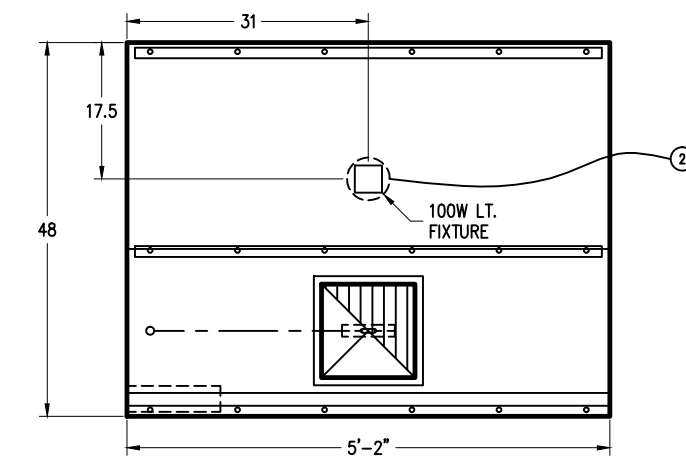
--- FIELD WIRING BY OTHERS
— WIRING BY GAYLORD

WHEN USING MULTIPLE LIGHT SWITCHES ON ONE CIRCUIT, VERIFY THAT THE LOAD DOES NOT EXCEED 15 AMPS (MAX.) IF IT DOES, USE MULTIPLE CIRCUITS.

SUPPLY VOLTAGE
 120V
 220V
 50Hz
 60Hz



WIRING DIAGRAM FOR DCA & LIGHT



PLAN VIEW
GLOBE LIGHT DETAIL (OPTION)

INSTALLATION INFORMATION

MAXIMUM VENTILATOR DIMENSION: 5'-2" L x 4'-0" W.
 TOTAL ESTIMATED HANGING WEIGHT: 528 LBS.

VENTILATORS MANUFACTURED IN MULTIPLE SECTIONS ARE PROVIDED WITH BOLTS, CLIPS, AND ALL NECESSARY HARDWARE FOR RECONNECTING BY THE VENTILATOR INSTALLER. CONTROL AND LIGHTING WIRING ARE PRE-WIRED AND DISCONNECTED FOR SHIPMENT. WIRING MUST BE RECONNECTED BY APPLICABLE TRADES.

REV	DRWN BY	DATE	ADD THIS SHEET
03	JA	3/29/16	

REV	DRWN BY	DATE	ADD THIS SHEET
03	JA	3/29/16	

This plan is made from available information, but measurements are to be verified by contractors, installers and others in connection with this job. Gaylord Industries accepts no responsibility for work done by contractors, installers and others, and will not stand any expense for charges made necessary by local building codes, ordinances, structural conditions or by the substitution or changes in equipment shown in this plan. This plan must be verified and approved by proper parties before fabrication can be started and approved shall not be made unless contractors, installers and others have reviewed applicable codes with code authorities. Reference is made to the general notes, which are a part of these plans and all contractors, installers and others utilizing these plans are advised they are responsible for examining and becoming familiar with said general notes before commencing any work hereunder. Any inconsistencies between these plans and the general notes, or between these plans, the general notes, and local building codes or ordinances must be immediately called to the attention of Gaylord Industries in writing so that any such inconsistencies can be resolved.

Gaylord Industries must be notified of any changes made to the plan in a clear and conspicuous manner. Gaylord Industries will not be responsible for any incidental or consequential damages incurred by others as a result of contractors, installers and others failure to notify Gaylord of changes to the plan.

ATTENTION - This plan is the property of Gaylord Industries and is confidential and proprietary. It is not to be copied, reproduced, or distributed, in whole or part, nor be used in any way detrimental to Gaylord Industries. If you have received this plan without Gaylord's permission, please (i) do not read it, (ii) reply to the sender that you received the drawing in error, and (iii) erase and/or destroy the drawing.

**GAYLORD®
INDUSTRIES**

10900 S.W. AVERY ST.
TUALATIN, OR 97062

TELEPHONE: (503) 691-2010
 TOLL FREE: (800) 547-9696
 FAX NO.: (503) 692-6048
 E-MAIL: gaylord@gaylordusa.com

ANSUL R-102-MS	FP-1
EL-ND-CL-S-MP-SS-DCA-400-48	H-2
MODEL #	ITEM #
DRWN BY: JA	CHECKED BY:
FORNO BRAVO	
PRELIMINARY ENGINEERING	
DATE: 03-04-16	SHEET NO: 06

