



Calore2G Series

Modular Refractory Fireplace Kit

The Forno Bravo Calore2G Series is a line of high-tech refractory outdoor fireplaces. These wonderful fireplace kits are easy to assemble, provide an authentic firebrick interior and can be finished in virtually any material—including stucco, brick and stone. The modular design offer a number of advantages over both a site-built brick and mortar fireplace and a metal firebox.

The Calore2G Outdoor Series features the innovative Forno Bravo CLIC™ (Complete, Lightweight, Interlocking Component) System. Each lightweight fireplace component has interlocking joints that take the guess work out of assembly. Installation does not require any specialized fireplace design or construction skills, and the kit can be assembled in a fraction of the time required to build a custom fireplace—at a fraction of the cost.

Unlike a metal outdoor fireplace insert, the Calore2G uses real firebricks (9"x4.5"x1.25" and 9"x2.5"x1.25") to line the firebox. The Calore2G not only looks great, it will last for many, many years—and it won't rust.

The Calore2G Series CLIC™ components are constructed using a high-tech insulating refractory composite that is both lightweight and heat resistant to 2600°F. The fireplace stays cool on the outer walls, while reflecting heat out through the firebox opening. The Calore2G Outdoor Series design features an angled back wall for optimal heat reflection, and an angled throat and smoke shelf for optimal air flow.

The Calore2G fireplace exterior can be finished to meet your specific architectural style and fireplace mantel choice, matching your Forno Bravo pizza oven, or outdoor living room. You can design the fireplace into custom enclosure built with either concrete blocks or metal studs and backer panels, and you can apply finish materials directly on the outside of the fireplace.

We offer the Calore2G Series kit in four sizes: 30", 36", 42" and 48" (internal opening size finished with firebrick splits). Each Calore2G fireplace kit includes the fireplace base, firebox, smoke chamber, and refractory chimney.

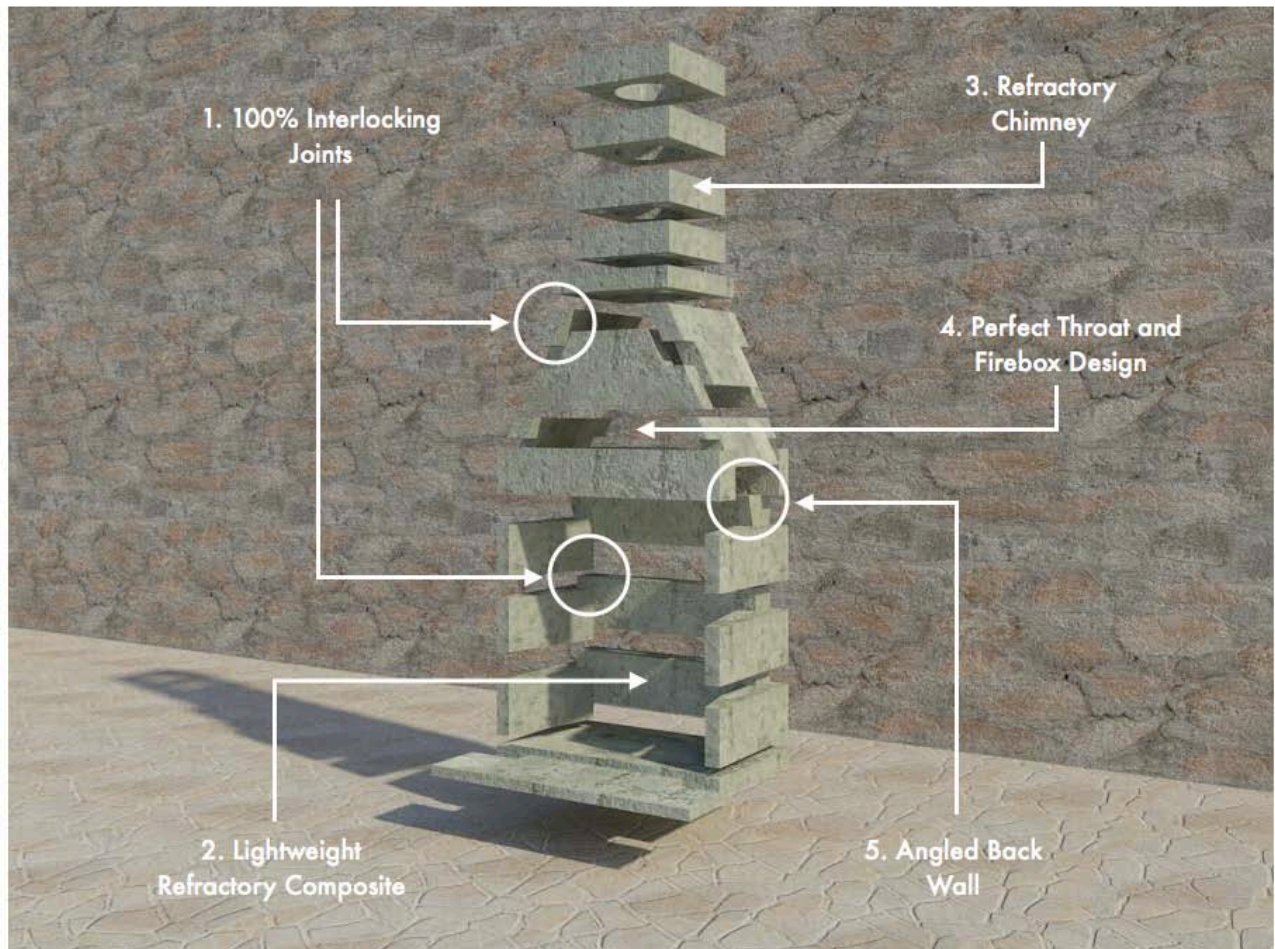
Forno Bravo
744 Neeson Road
Marina, CA 93933
(800) 407-5119
info@fornobravo.com
www.fornobravo.com



Forno Bravo Calore2G Outdoor Fireplace Kit

The Calore2G Series Family

	Opening	External	Weight (lb.)
Calore75	30"Wx21"H	38"Wx27"Dx75"H	1200
Calore90	36"Wx31.5"H	44"Wx27"Dx86"H	1600
Calore105	42"Wx31.5"H	50"Wx27"Dx86"H	1900
Calore120	48"Wx31.5"H	56"Wx27"Dx98"H	2200



1. 100% Interlocking Joints.

The individual pieces "snap" together, taking the guess work out of assembly, and making it easy to accurately line up the various components. Components with flat edges are notched on the top and bottom—to lock the pieces together.

2. Lightweight Refractory.

The Calore2G is lightweight, resistant to high temperature, and extremely strong—roughly half the weight of standard concrete, and heat resistant to 2600°F. That makes your fireplace easier to ship and assemble, less expensive and more durable than the alternatives.

3. Refractory Chimney.

The modular refractory chimney—bundled with each fireplace, offers a number of advantages over fireplaces where the chimney is either optional, or metal. Unlike a steel chimney, the Calore2G refractory chimney is easy to assemble and easy to finish. These solid chimney pieces can be covered with stucco, stone or brick—and they do not require any additional framing. Plus, because the chimney is solid refractory, it retains heat inside the chimney opening for optimal draw.

4. Optimal Venting.

A sophisticated throat and smokebox design promotes optimal air movement and proper venting. A back top ledge minimizes downward air movement from the chimney into the firebox, while the front throat angles inward, helping move air from the firebox up through the chimney. Optimal draw means less smoke.

5. Angled Back Wall.

The back wall is angled inward to reflect heat of the fireplace opening, and into your outdoor living space. This makes your fireplace more efficient and more fun. You can feel the heat.



Calore2G Series: At-a-Glance

	Calore2G75	Calore2G90	Calore2G105	Calore2G120
Fireplace Opening	30"Wx21"H	36"Wx31.5"H	42"Wx31.5"H	48"Wx31.5"H
External Dimensions	38"Wx27"Dx75"H	44"Wx27"Dx86"H	50"Wx27"Dx86"H	56"Wx27"Dx98"H
Chimney Diameter	12"	12"	14"	14"
Chimney Height	24"	24"	24"	36"
Weight (fireplace and chimney)	1,650 lb.	1,950 lb.	2,250 lb.	2,550 lb.

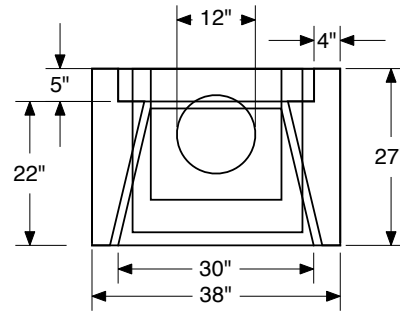
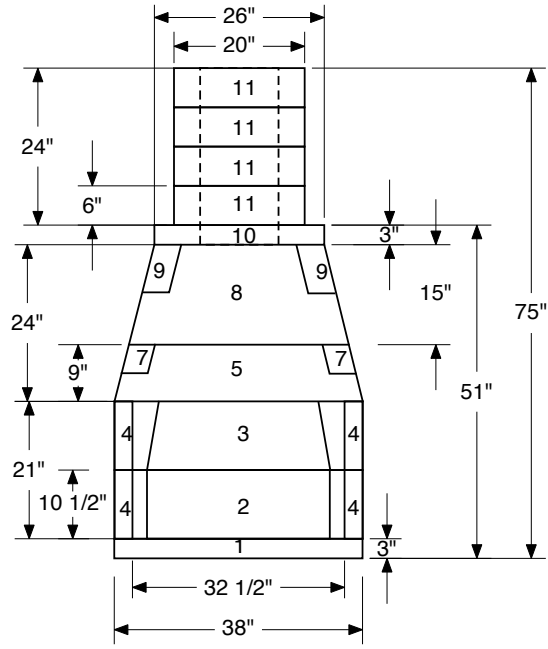
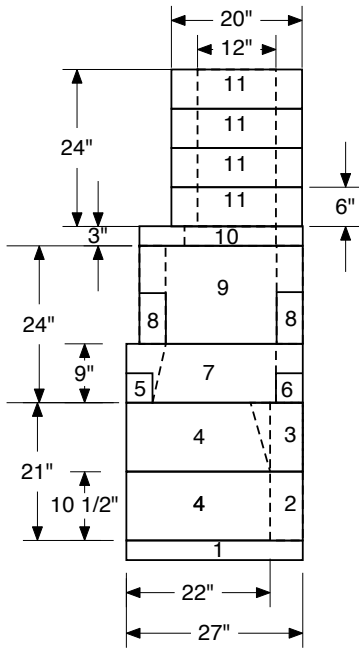


Calore2G: The Competition

	Calore2G	Steel Firebox	Typical Masonry Fireplace
Fast Assembly and Finish	✓	No. Enclosure construction can be difficult.	Yes
Real Firebrick Interior	✓	No. Fake brick panel. Blah.	Yes
Durable, Solid Masonry Fireplace	✓	No. You can see air gaps between the panels.	Yes
Won't Rust	✓	No. That's a real problem.	Yes
Fully Interlocking Joints	✓	N/A	No.
Angled Back Wall and Throat	✓	Typically not.	Many do not.
True Refractory; No Portland Cement	✓	N/A	Be careful. Many are not.
Lightweight Composite	✓	N/A	Not always.
Refractory Chimney Included	✓	No.	Not always. Can cost extra.



Calore2G Dimensions



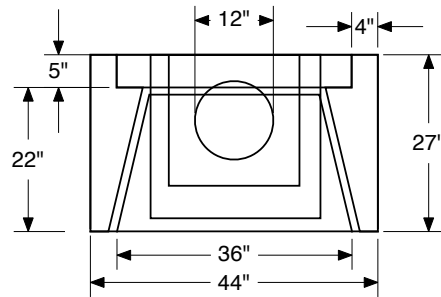
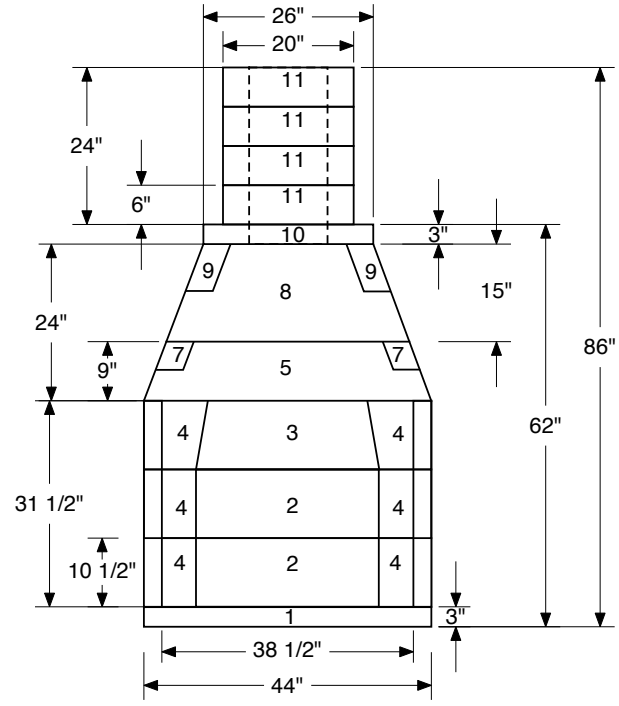
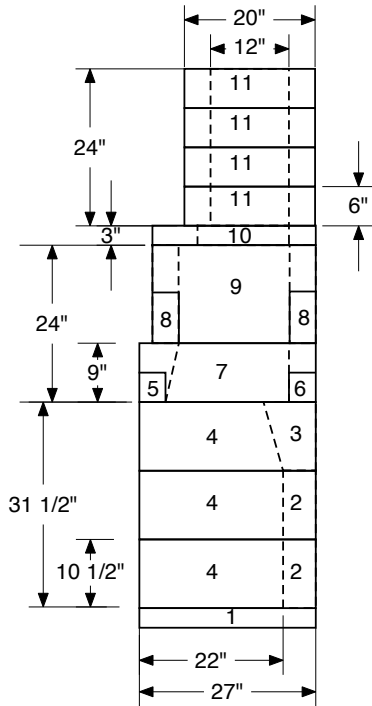
Calore2G75

30" Modular Fireplace Kit

v1.0, 09/10
 Copyright Forno Bravo, LLC 2010
 744 Neeson Road
 Marina, CA 93933
 (800) 407-5119



Calore2G Dimensions



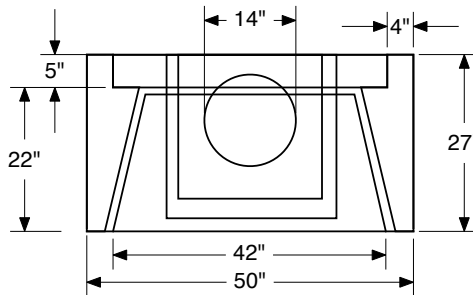
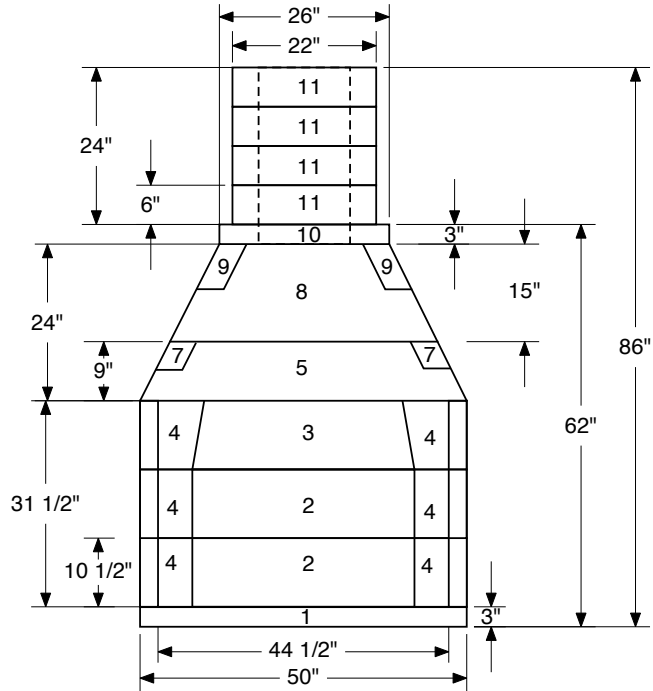
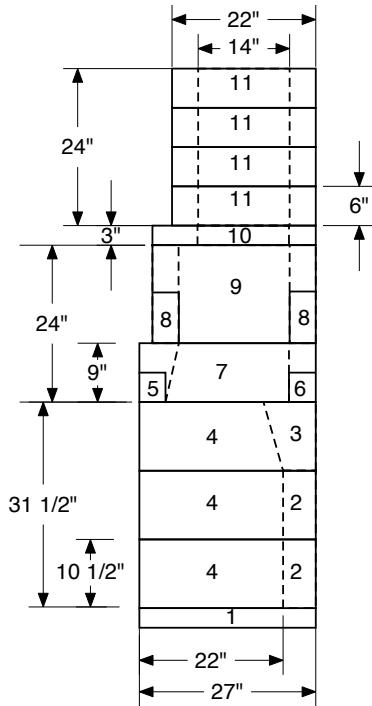
Calore2G90

36" Modular Fireplace Kit

v1.4, 09/10
 Copyright Forno Bravo, LLC 2010
 744 Neeson Road
 Marina, CA 93933
 (800) 407-5119



Calore2G Dimensions



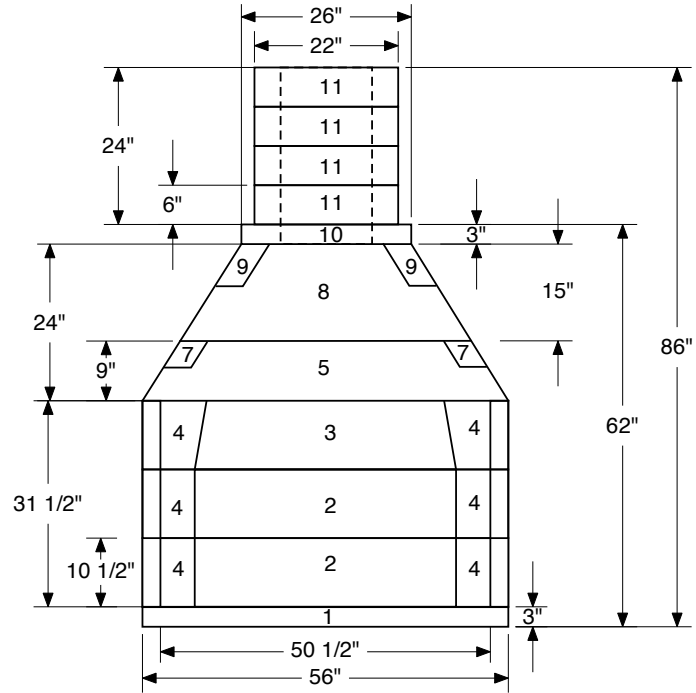
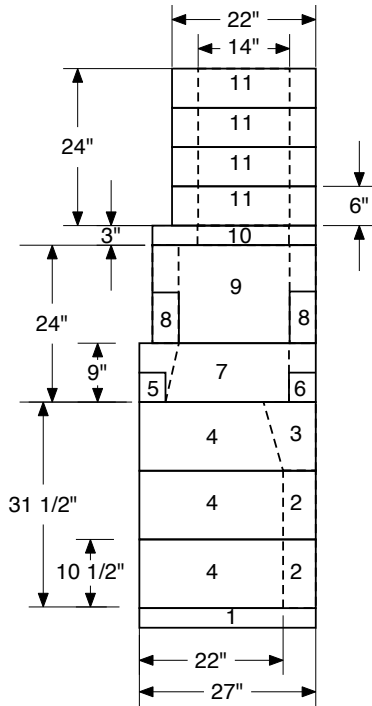
Calore2G105

42" Modular Fireplace Kit

v1.0, 09/10
 Copyright Forno Bravo, LLC 2010
 744 Neeson Road
 Marina, CA 93933
 (800) 407-5119



Calore2G Dimensions



Calore2G120

48" Modular Fireplace Kit

v1.0, 09/10
 Copyright Forno Bravo, LLC 2010
 744 Neeson Road
 Marina, CA 93933
 (800) 407-5119

